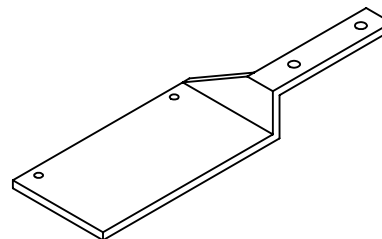
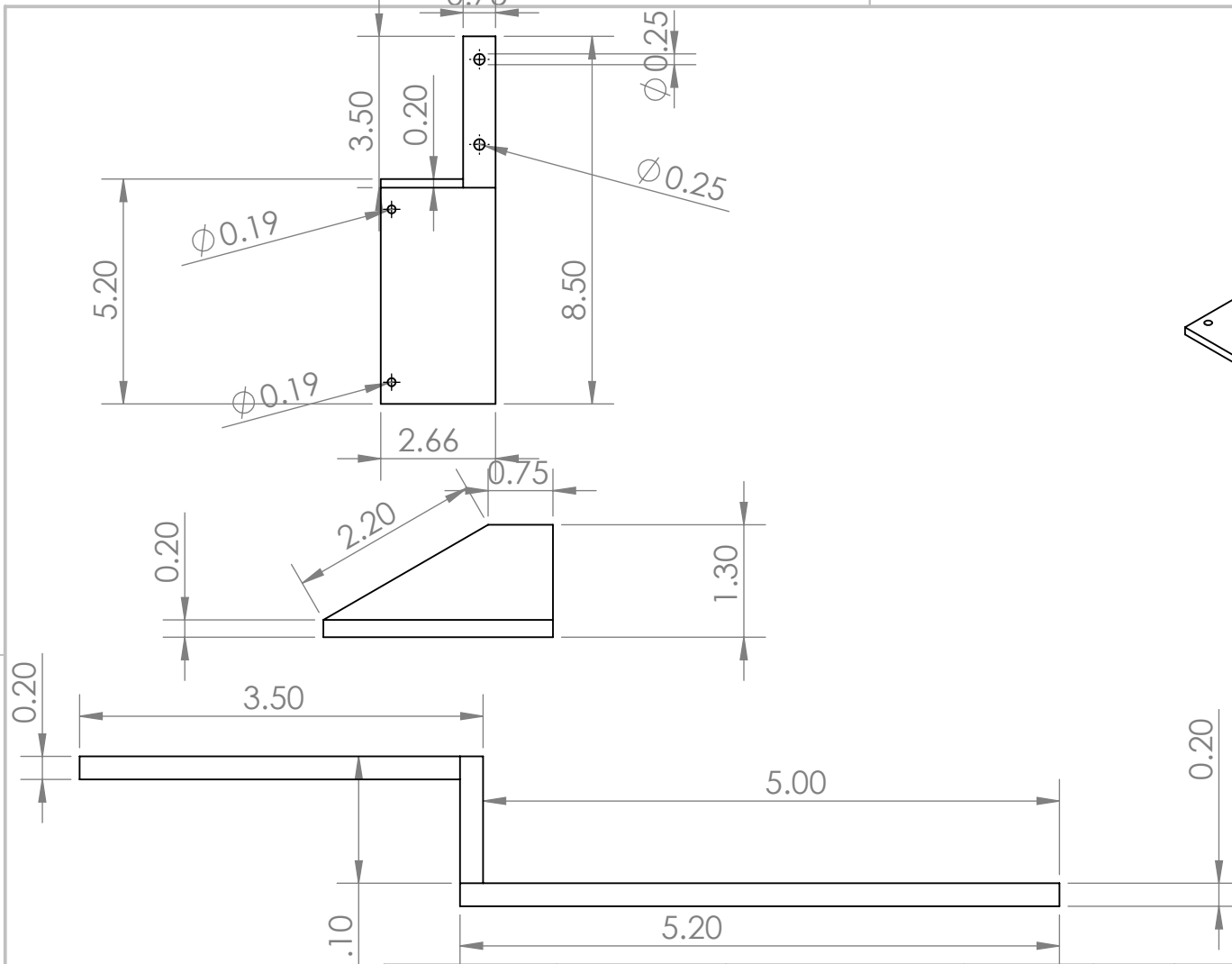


B

B



A

A

**PROPRIETARY AND CONFIDENTIAL**  
 THE INFORMATION CONTAINED IN THIS DRAWING IS THE SOLE PROPERTY OF <INSERT COMPANY NAME HERE>. ANY REPRODUCTION IN PART OR AS A WHOLE WITHOUT THE WRITTEN PERMISSION OF <INSERT COMPANY NAME HERE> IS PROHIBITED.

		UNLESS OTHERWISE SPECIFIED:		NAME	DATE		
		DIMENSIONS ARE IN INCHES		DRAWN	Shane P.	TITLE:	
		TOLERANCES:		CHECKED			
		FRACTIONAL $\pm$		ENG APPR.			
		ANGULAR: MACH $\pm$ BEND $\pm$		MFG APPR.			
		TWO PLACE DECIMAL $\pm$		Q.A.			
		THREE PLACE DECIMAL $\pm$		COMMENTS:			
		INTERPRET GEOMETRIC TOLERANCING PER:					
		MATERIAL					
		FINISH					
NEXT ASSY	USED ON			SIZE	DWG. NO.	REV	
APPLICATION		DO NOT SCALE DRAWING		Left light bracket			
				SCALE: 1:4	WEIGHT:	SHEET 1 OF 1	

2

1